

Chamber lock for swing and sliding doors

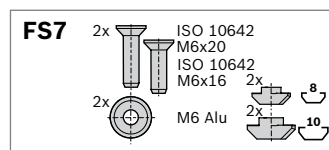
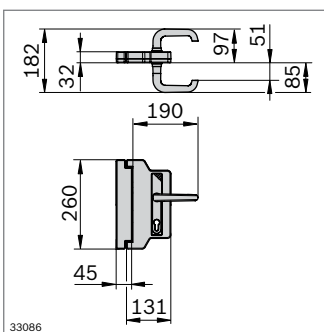


- ▶ Opening to the right and left
- ▶ For numerous profile combinations
- ▶ For installation of a standard lock cylinder (not included in the scope of delivery)
- ▶ Version with door handle, can be opened from inside and outside
- ▶ Without profile finishing
- ▶ Covered fastening screws

Optional accessories:

- ▶ Adapter plate for connecting to a WG40 or WG30 woven wire grille profile (p. 10-9)
- ▶ Lock cylinder (p. 8-20)

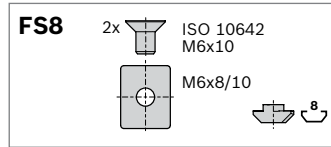
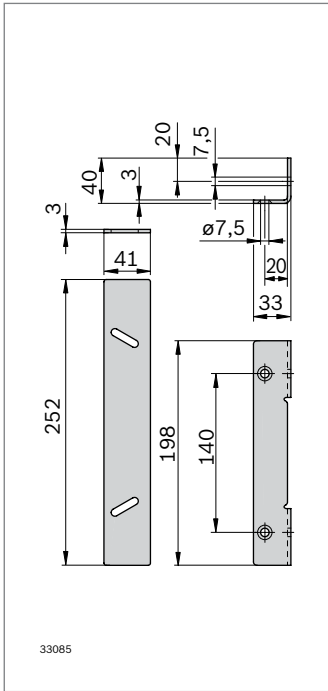
P1	P2	P2	P2	P2	P2
30	WG30/40	30	-	-	-
40	WG30/40	30	40	-	-
45	WG30/40	30	40	45	-
50	WG30/40	30	40	45	50
60	WG30/40	30	40	45	50



Chamber lock	No.	FS
Sliding door	3 842 554 151	2xFS7
Swing door	3 842 554 150	2xFS7

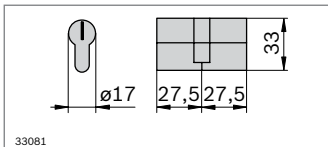
Material: Housing: PA6 signal gray (RAL7004); door handle: anodized aluminum;
Fastening material: steel; galvanized
Washer: aluminum

Scope of delivery: Incl. fastening material



Adapter plate	No.	FS
Chamber lock	3 842 554 152	2xFS8

Material: steel; galvanized
Fastening material: steel; galvanized
Scope of delivery: incl. fastening material



- Conventional lock cylinder 27.5/27.5 is not included in the scope of delivery.